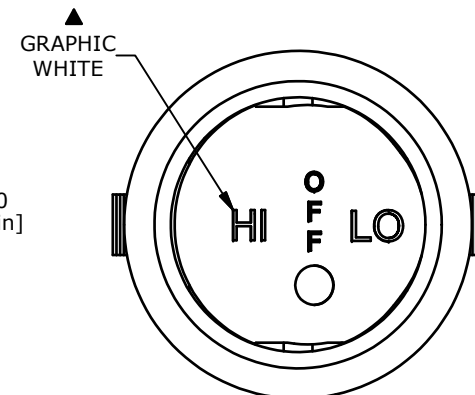
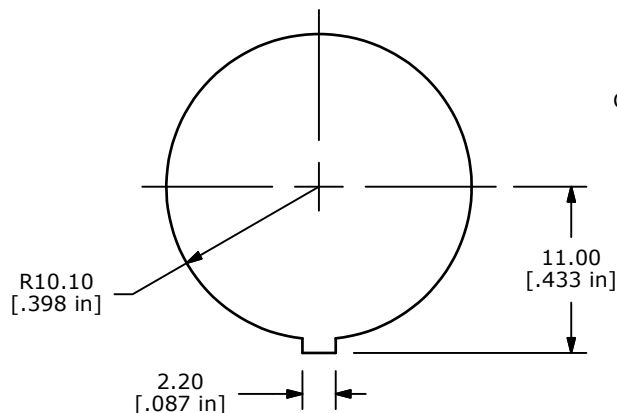
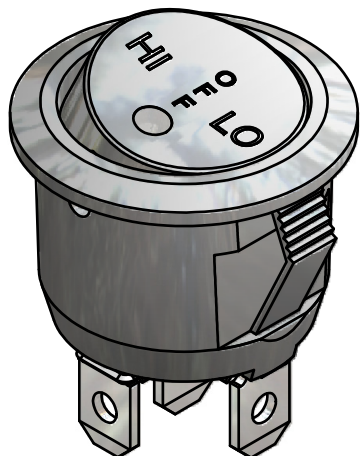
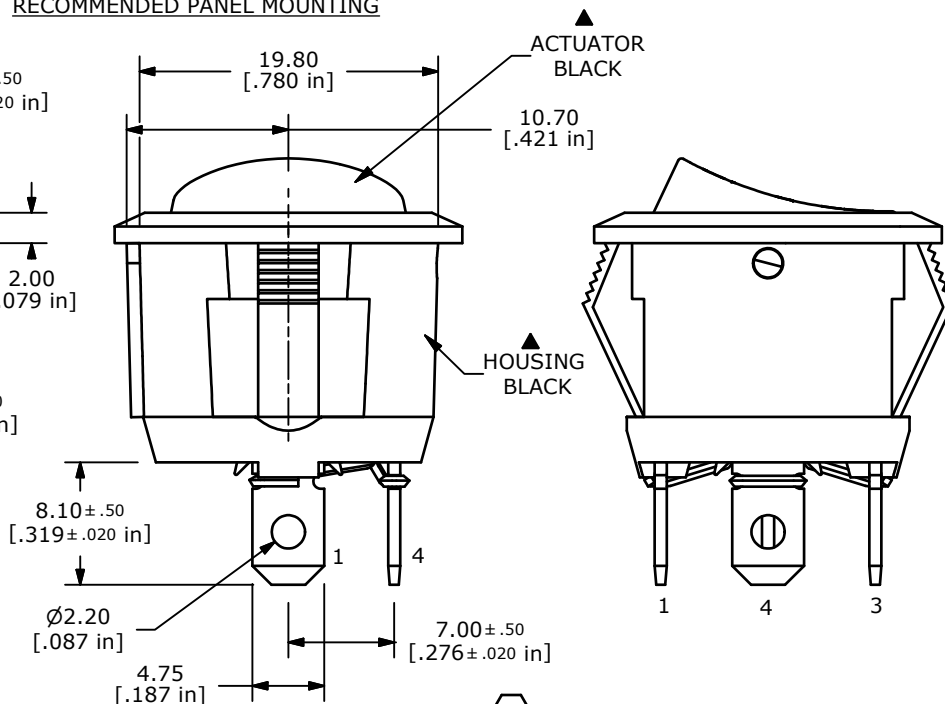
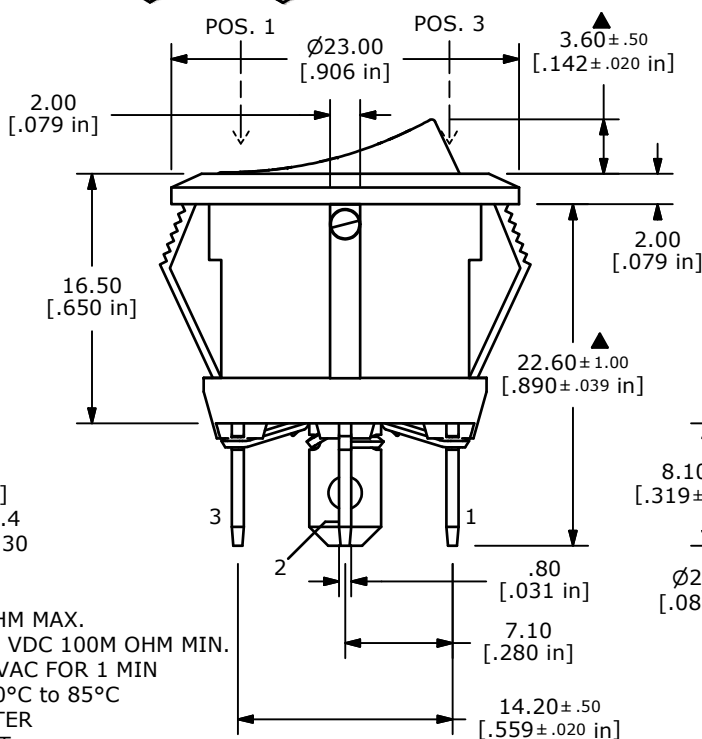
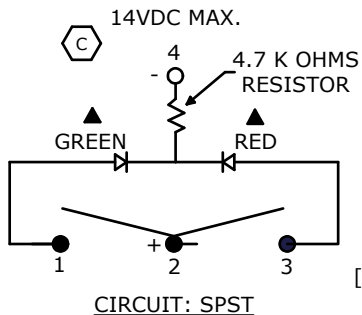


SWITCH FUNCTION		
POS. 1	POS. 2	POS. 3
ON	OFF	ON
2,1	OPEN	2,3



THICKNESS 2.0mm - 3.0mm
RECOMMENDED PANEL MOUNTING



- NOTES:
1. ALL DIMENSIONS IN MM [INCH]
 2. GENERAL TOLERANCE: X.X=±0.4
X.XX=±0.30
 3. TERM. NOS. FOR REF. ONLY
 - ▲ 4. RATING: 20A @ 14 VDC
 5. CONTACT RESISTANCE: 50mOHM MAX.
 6. INSULATION RESISTANCE: 500 VDC 100M OHM MIN.
 7. DIELECTRIC STRENGTH: 1500 VAC FOR 1 MIN
 8. OPERATING TEMPERATURE: -20°C to 85°C
 9. ▲ DENOTES CRITICAL PARAMETER
 10. 2002/95/EC (ROHS) COMPLIANT
 - ▲ 11. LED COLOR: RED, GREEN

▲ LED SPECS ONLY	UNITS	RED	GREEN
FORWARD CURRENT	mA	20	20
FORWARD VOLTAGE @20mA	V	2.0	2.2
LUMINOUS INTENSITY @ 10mA	MCD	80	50

REV	PCR NO	DESCRIPTION	DATE	BY
C	19827	UPDATE CIRCUIT SYMBOL & ADD POS.	4/11/11	BGL
B	19732	UPDATE CIRCUIT DIAGRAM	3/3/11	BGL
A	19622	RELEASED FOR PRODUCTION	1/25/11	BGL



TITLE RR3113DBLKBLKREDGRNFHILO				
SCALE 2:1	DATE 1/26/2011	DR BGL	DWG F130480	REV C

THE INFORMATION CONTAINED IN THIS DOCUMENT IS PROPRIETARY TO E-SWITCH AND IS NOT TO BE COPIED OR TRANSFERRED